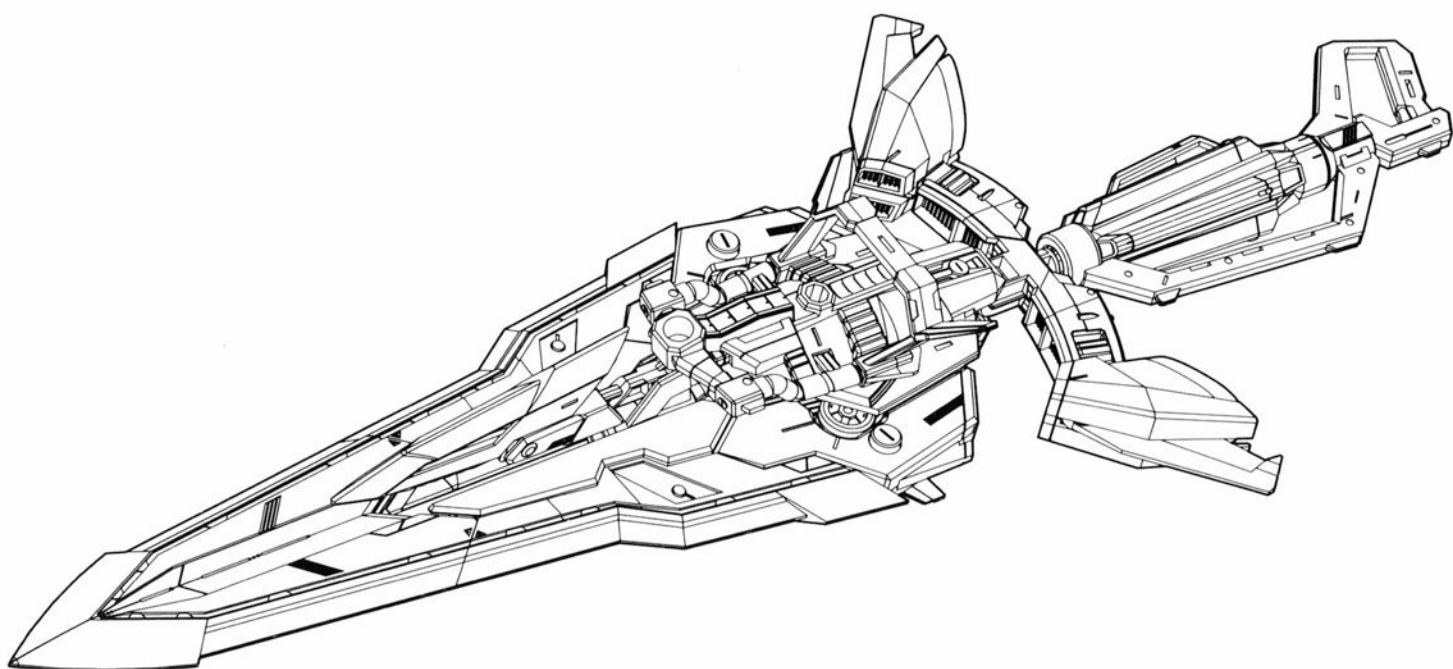


RED FRAME (TACTICAL ARMS)

戰術武器



1/60 MODEL「模型」

*包裝上的圖片、插圖和實樣產品可能有所不同，請諒解！

ILLUSTRATION AND PICTURE ON PACKAGE MAY VARY FROM TRUE MERCHANDISE.



M3 MODEL KIT

《組裝時的注意》

- 組裝前請詳細閱讀說明書。
- 請將零件按編號整齊組裝，組裝后把邊角料丟棄。
- 零配件當中有帶尖銳或刺手的，在組裝時請小心。
- 建議在塗裝粘貼時使用安全的“水性塗料”。

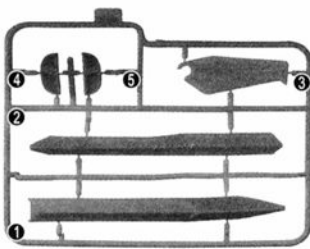
NOTICE WHILE ASSEMBLING

- Please read the instruction carefully before assembly.
- Please assemble the parts as per the serial numbers and discard the leftover material after assembly.
- While assembling, please pay attention that some of the parts may be sharp-pointed or aciculate.
- Please use the soft "aqueous coating" while painting.

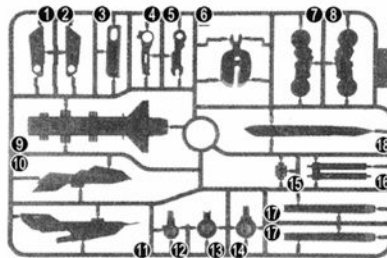
配件一覽 PARTS LIST

注意：印有“x”符号是不需要用到的配件
Note: with the "X" symbol is not required to use the accessories

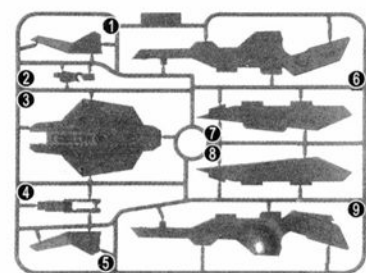
A 配件(FITTINGS) (X2)
(聚苯乙烯樹脂:PS) Polystyrene:PS



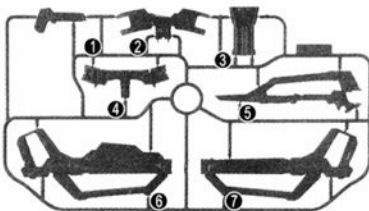
B 配件(FITTINGS) (X2)
(聚苯乙烯樹脂:PS) Polystyrene:PS



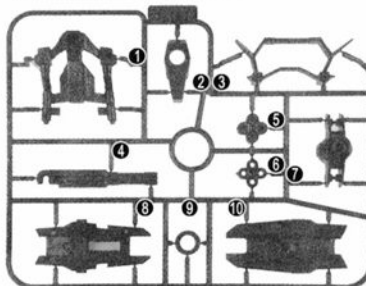
C 配件(FITTINGS) (X2)
(聚苯乙烯樹脂:PS) Polystyrene:PS



D 配件(FITTINGS) (X2)
(聚苯乙烯樹脂:PS) Polystyrene:PS



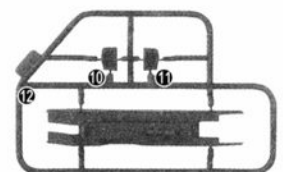
E 配件(FITTINGS)
(聚苯乙烯樹脂:PS) Polystyrene:PS



F 配件(FITTINGS)
(聚苯乙烯樹脂:PS) Polystyrene:PS



G 配件(FITTINGS) (X2)
(聚苯乙烯樹脂:PS) Polystyrene:PS



· 粘緊 CLIONG



· 貼紙的編號
NUMBERS ON THE SEALS



· 粘貼編號
DECAL NUMBER



· 反面安裝之配件
PARTS INSTALLED ON REVERSE SIDE



· 兩側安裝同樣配件
SAME PARTS INSTALLED ON BOTH SIDES



· 組裝時需注意方向
PAY ATTENTION TO
THE DIRECTIONS WHEN INSTALL



· 注意旋緊螺絲
ATTENTION TO REVOLVE THE SCREW



· 剪切 CUT OFF



· 配件數量的個數
QUANTITY OF THE PART



· 先組裝
EARLIER INSTALL



· 后組裝
LATER INSTALL



· 結合數值旋轉
SCREW BASE ON THE MARK RUNNER

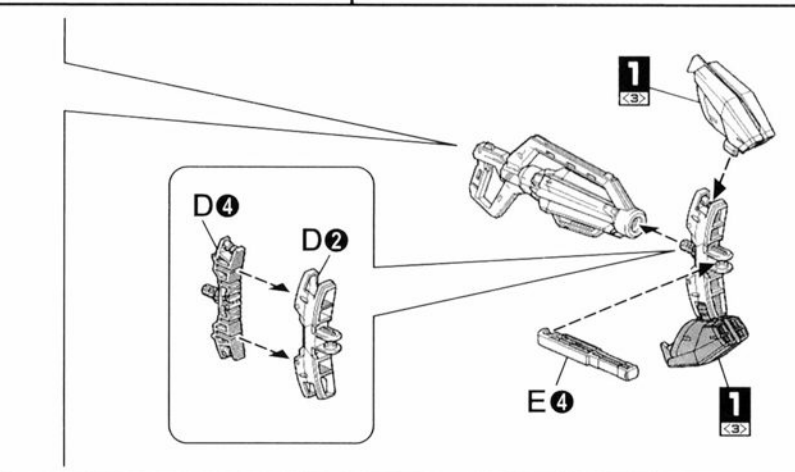
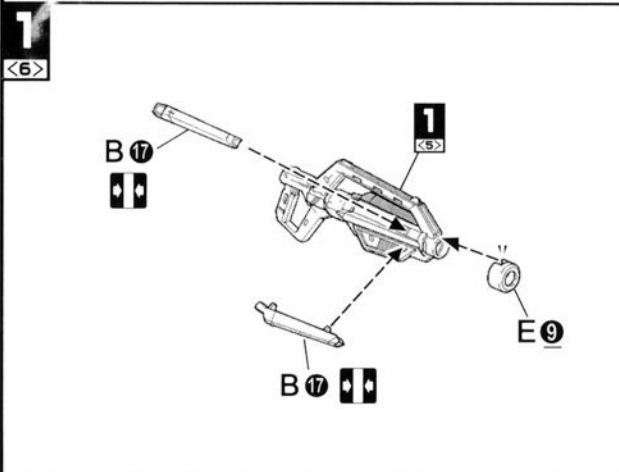
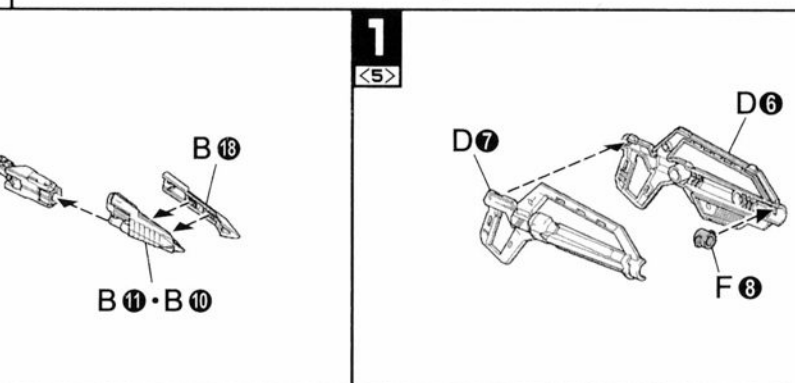
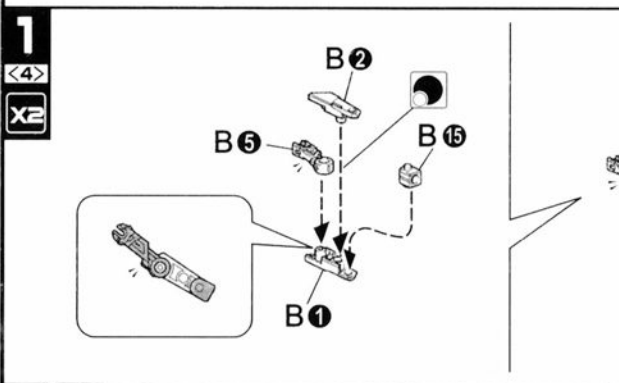
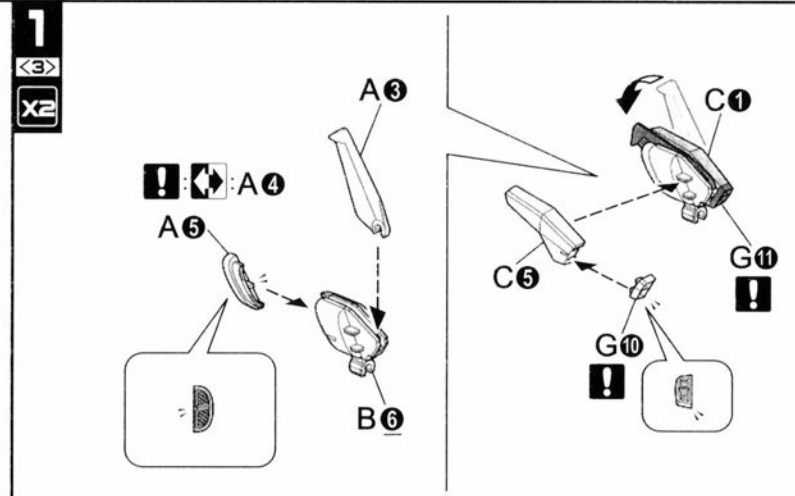
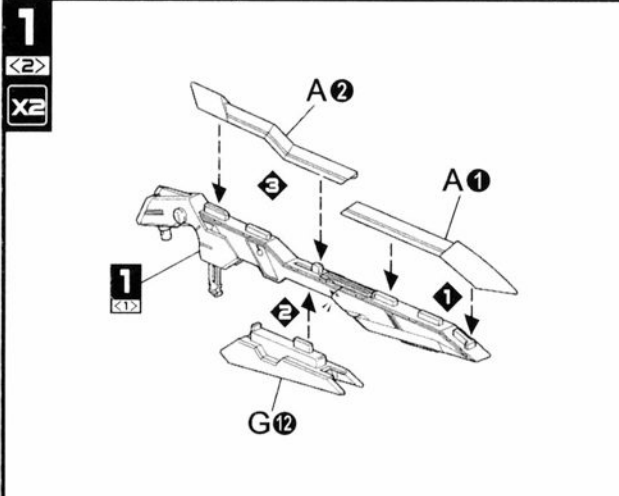
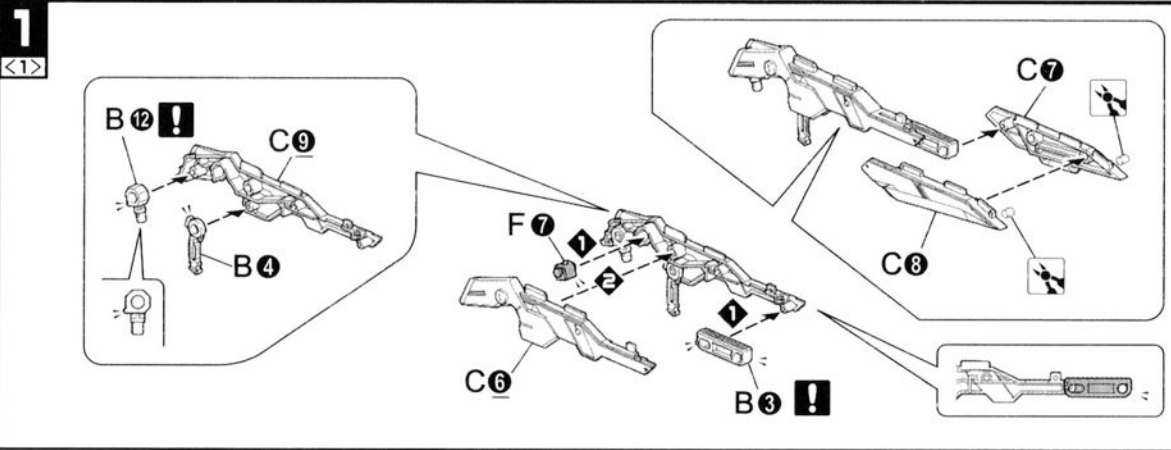


· 選擇任一方進行組裝
CHOOSE ONE SIDE TO INSTALL

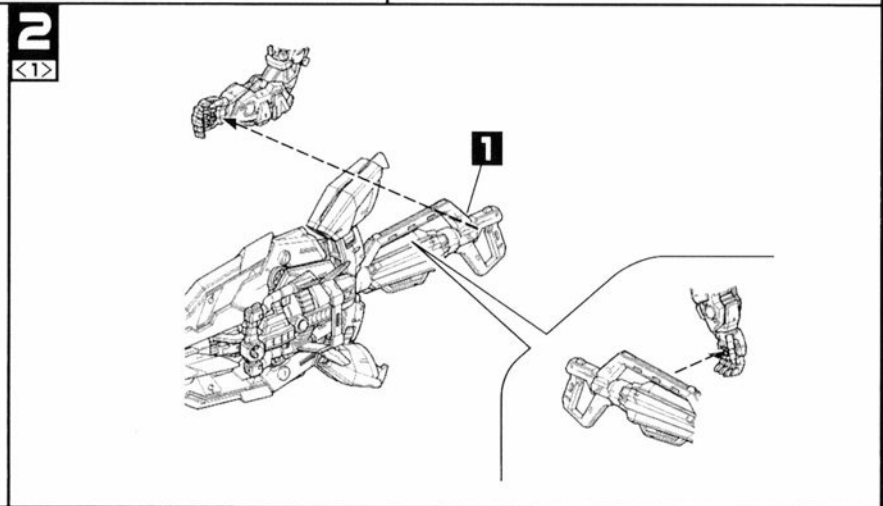
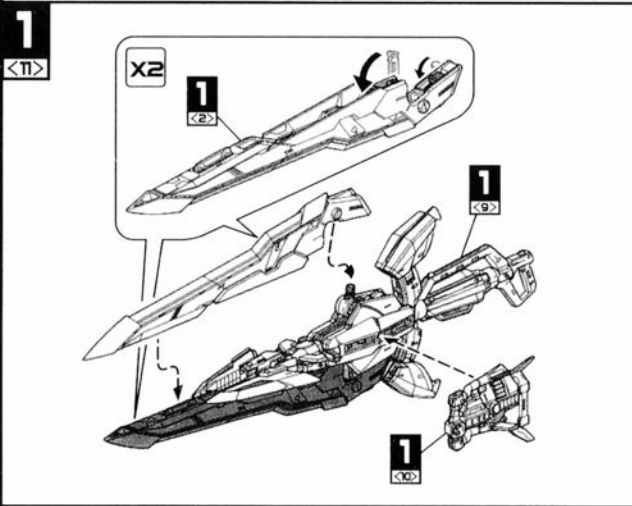
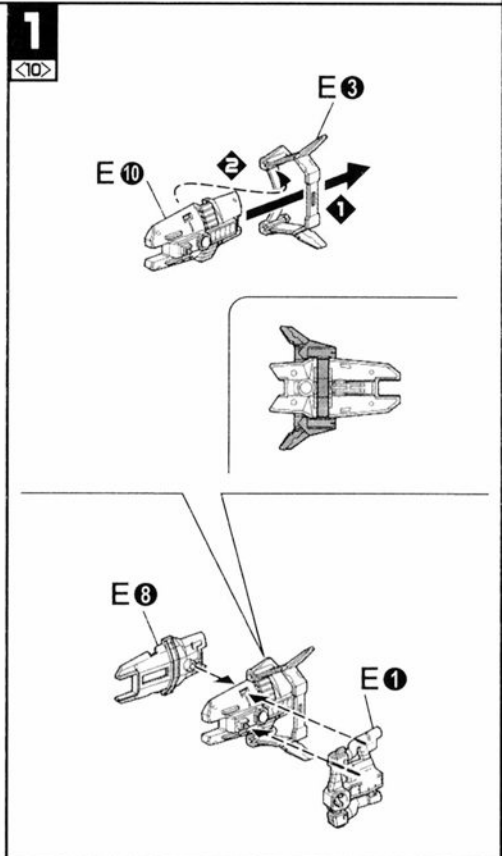
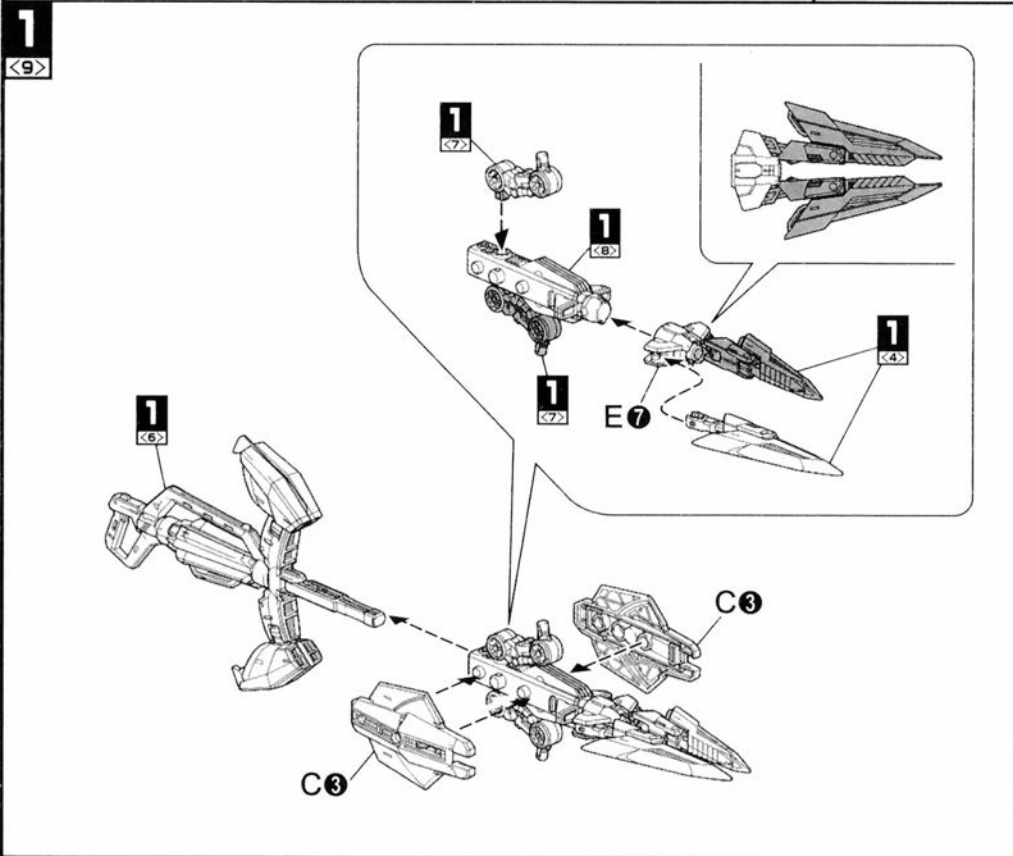
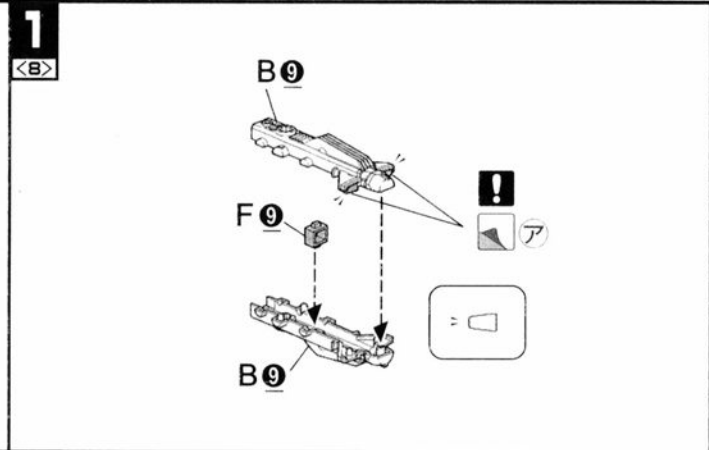
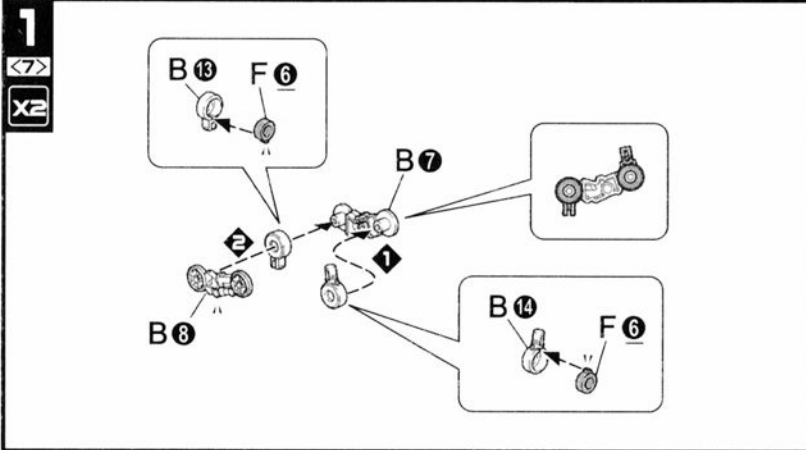


· 反面也是同樣轉動
SCREW THE SAME ON REVERSE SIDE

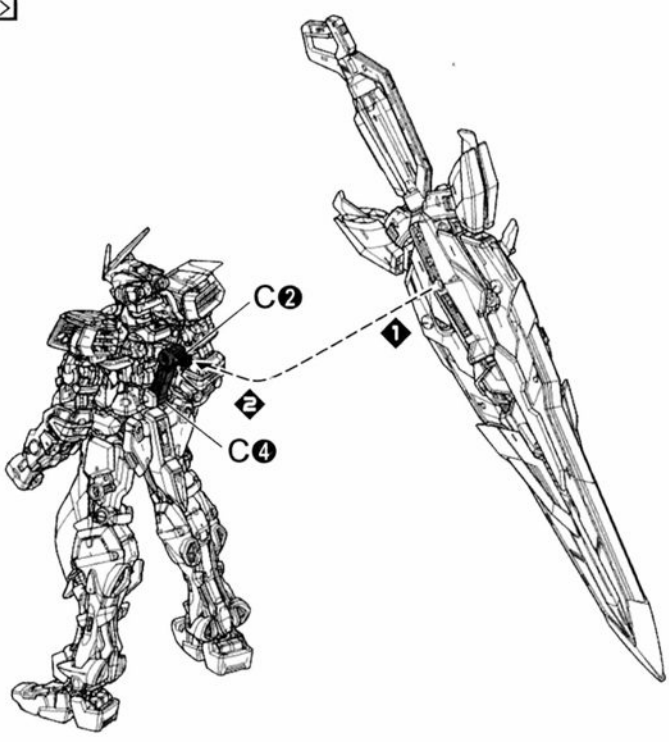
1 武器 WEAPONS



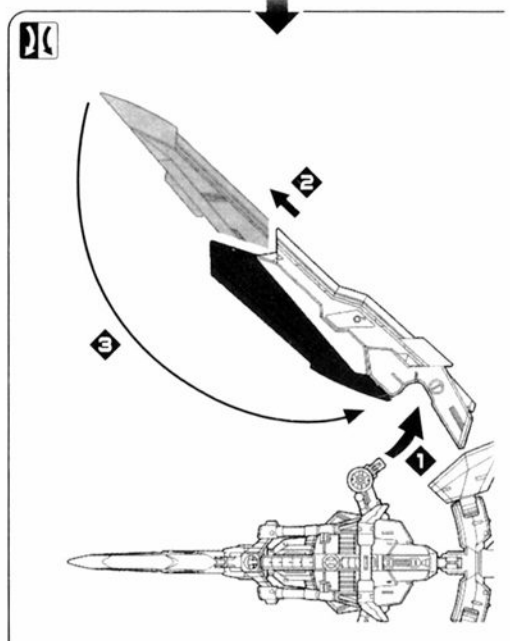
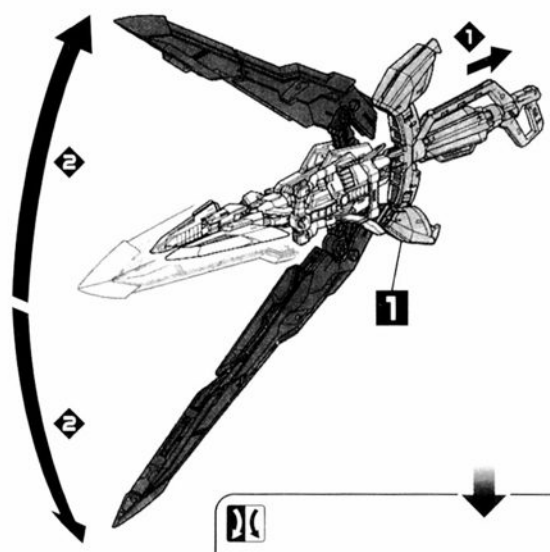
※組裝時注意圖片中的記號說明。 The assembly of the attention in the picture that mark.



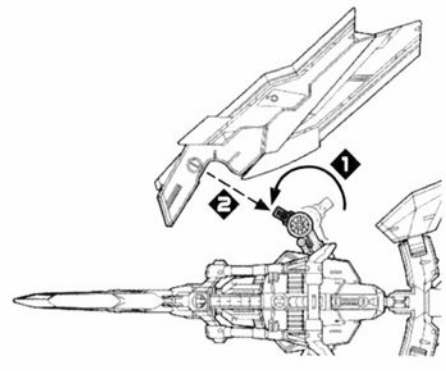
2
<2>



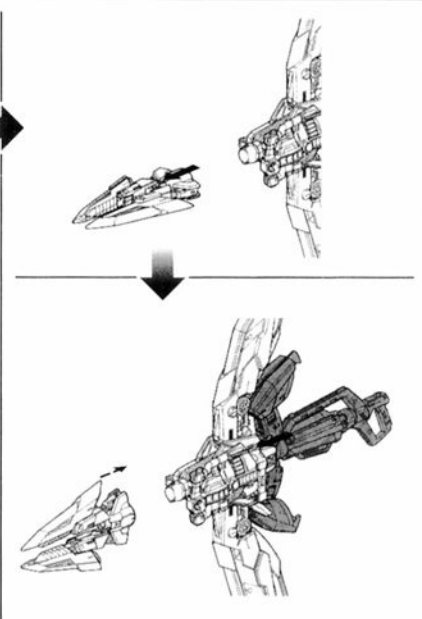
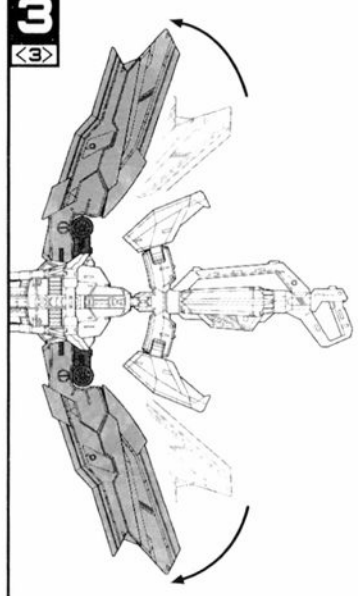
3
<1>



3
<2>



3
<3>



4



5



6

